

Raindance E

Overhead shower 300 1jet with shower arm

Surfaces: **Chrome** Article Number: **26238000**



Description

product features

- consists of: overhead shower, shower arm
- shower head size: 300 x 300 mm
- spray type: RainAir
- ball-joint: overhead shower angle adjustable
- material spray disc: metal
- shower arm length 390 mm
- maximum flow rate at 3 bar: 17 l/min
- flow rate RainAir spray (at 3 bar): 17 l/min
- minimum flow pressure: 1,6 bar
- spray disc removable for cleaning
- installation: wall
- connection thread G ½
- connection dimension: DN15
- suitable for continuous flow water heaters

Technology



Design awards



reddot winner 2020



reddot winner 2021



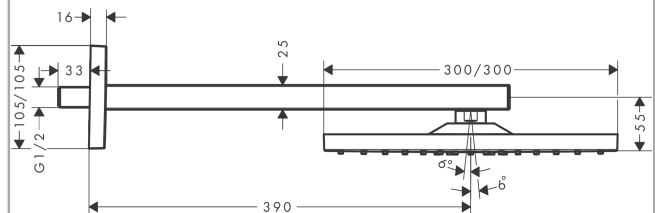
Certificates



Product image



Scale drawing



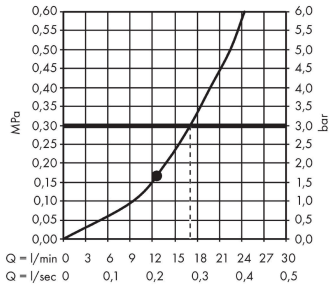
Raindance E

Overhead shower 300 1jet with shower arm

Surfaces: **Chrome** Article Number: **26238000**



Flowchart



The consumption was measured in combination with the appropriate fittings (thermostat/mixer/in-wall valve) to reflect actual application in practice.

Raindance E

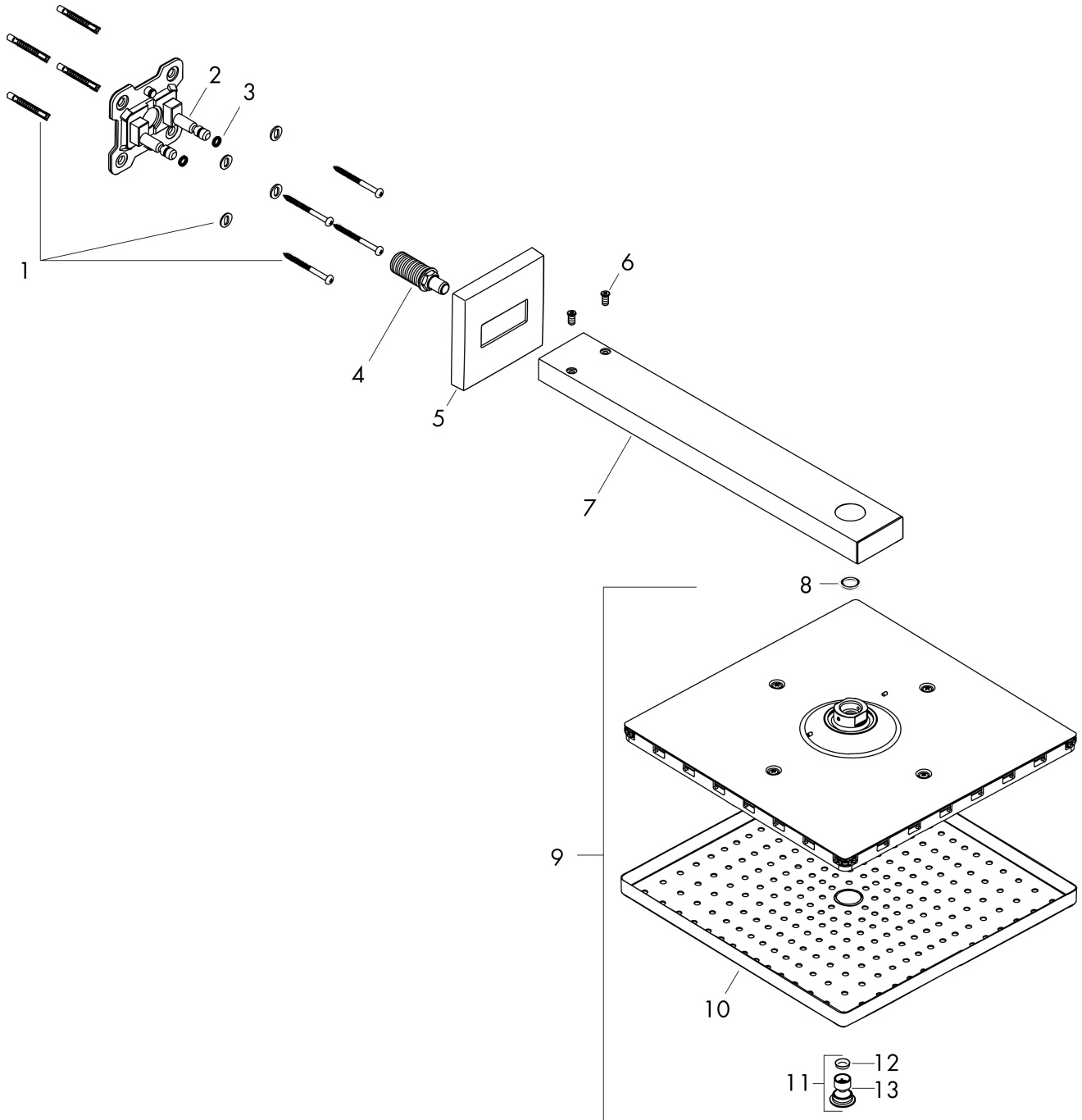
Overhead shower 300 1jet with shower arm

Surfaces: **Chrome** Article Number: **26238000**



Exploded Drawing

Year of production: >06/17



Raindance E

Overhead shower 300 1jet with shower arm

Surfaces: **Chrome** Article Number: **26238000**



Spare part list

Year of production: >06/17

Pos.	Description	Article Number	Price	PU
1	mounting set	96179000	€ 11,31	1
2	wall flange	93441000	€ 57,12	1
3	O-ring 6x2	98458000	€ 3,21	1
4	connecting thread	93416000	€ 44,63	1
5	escutcheon	93126000	€ 35,94	1
6	screw	93431000	€ 8,45	1
7	shower arm	93221000	€ 249,90	1
8	seal	98058000	€ 3,21	1
9	head shower	93230000	€ 539,55	1
10	spray body	94580000	€ 162,08	1
11	air jet	93127000	€ 28,20	1
12	filter	93128000	€ 8,45	1
13	O-ring 15x2	98163000	€ 3,21	1