

Vivenis

Single lever basin mixer for concealed installation wall-mounted with spout 19,2 cm

Finish: **Matt Black** Article Number: **75050670**



Description

product features

- consists of: single lever basin mixer for concealed installation wall-mounted, waste set
- projection: 192 mm
- handle variant: lever handle
- spray type: WaterfallStream
- maximum flow rate at 3 bar: 5 l/min
- ceramic cartridge
- temperature limitation adjustable
- suitable for continuous flow water heaters
- non-closing waste set
- material waste set: metal
- connection type: basic set
- connection dimension: DN15
- handle can be positioned on the right or left, depending on the basic set installation
- EU taxonomy: max. 6 l/min - Substantial Contribution (SC) possible

Technology



Design awards



reddot winner 2021

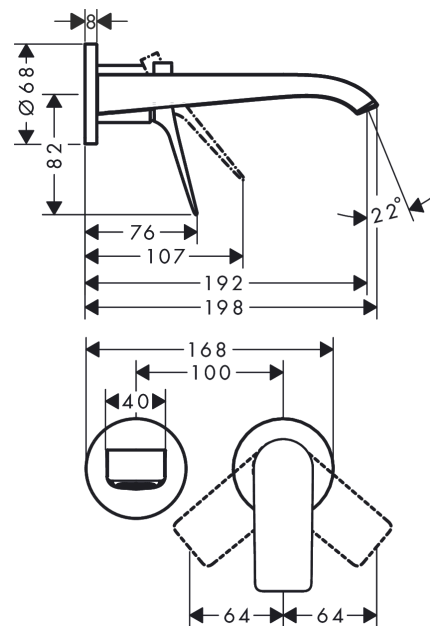


GERMAN
DESIGN
AWARD
WINNER
2022

Product image



Scale drawing



Vivenis

Single lever basin mixer for concealed installation wall-mounted with spout 19,2 cm

Finish: **Matt Black** Article Number: **75050670**



Flowchart



Vivenis

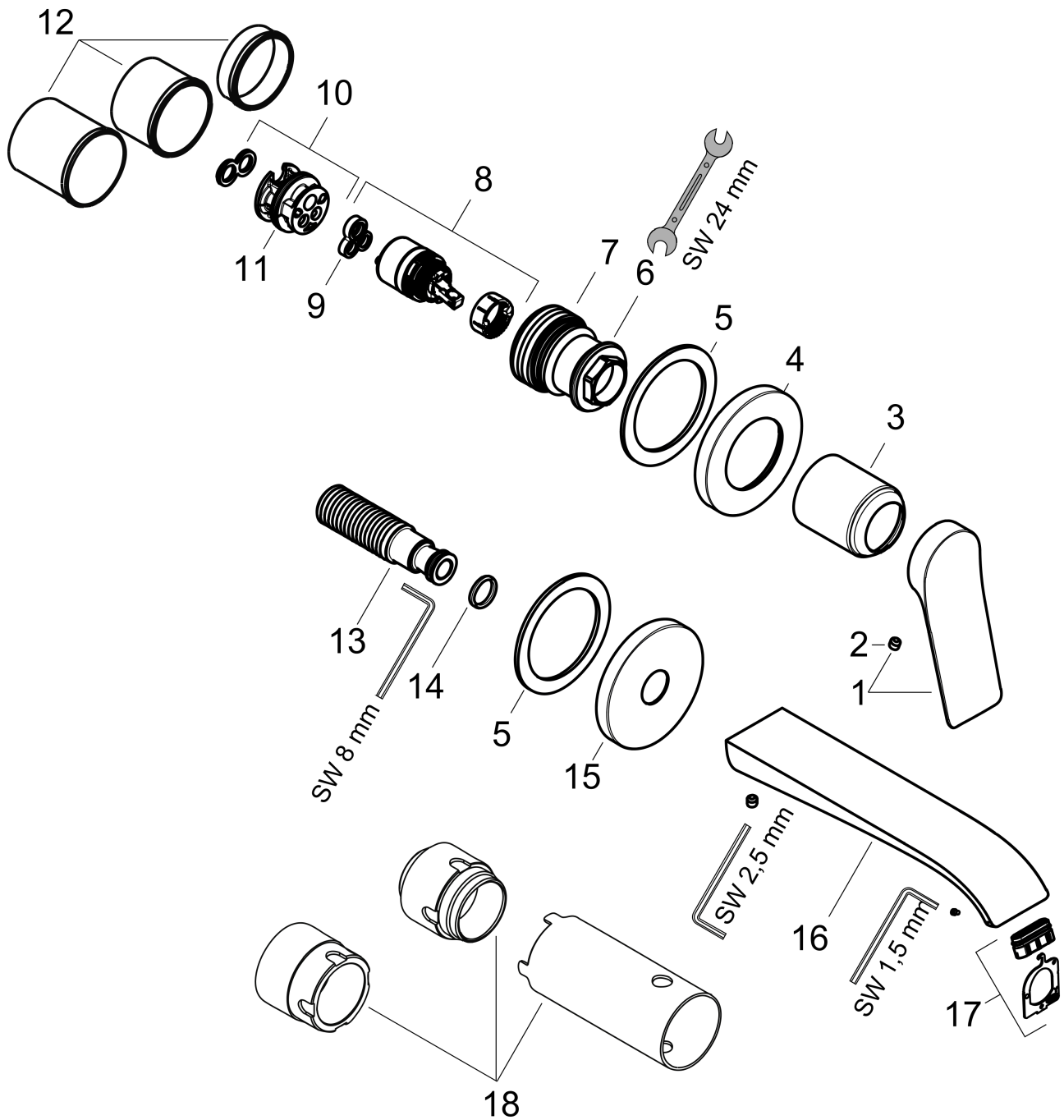
Single lever basin mixer for concealed installation wall-mounted with spout 19,2 cm

Finish: **Matt Black** Article Number: **75050670**



Exploded Drawing

Year of production: >06/21



Vivenis**Single lever basin mixer for concealed installation wall-mounted with spout 19,2 cm**Finish: **Matt Black** Article Number: **75050670****Spare part list**

Year of production: >06/21

Pos.	Description	Article Number	PC	PU
1	handle	94276670	60	1
2	hollow set screw M5x5	98446000	1	1
3	sleeve	93989670	58	1
4	escutcheon for handle	93988670	61	1
5	washer	97600000	4	1
6	nut	94752000	8	1
7	O-Ring 32x2	98193000	1	1
8	cartridge, assy	93760000	13	1
9	seal	93383000	4	1
10	adapter for cartridge	95634000	4	1
11	O-ring 26x2	98147000	1	1
12	fixing set	97971000	9	1
13	connecting thread G½	95626000	10	1
14	O-ring 13x2	98128000	1	1
15	escutcheon for spout	93987670	62	1
16	spout cpl.	94274670	65	1
17	spray former	94275000	9	1
18	extension set 25 mm for 13622180	31971000	99	1
a	base body	13622180	99	1
b	adapter for exchanged connections	93819000	16	1
c	waste	50001670	99	1