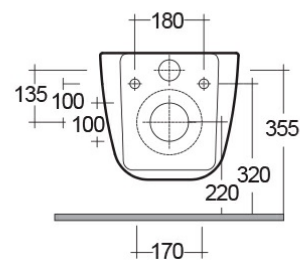
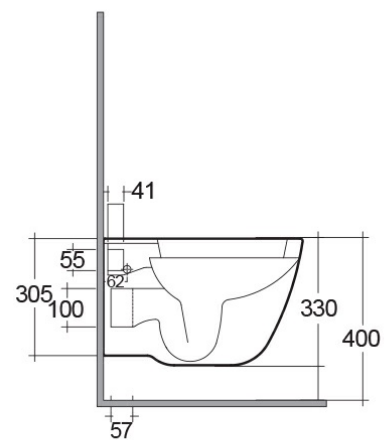
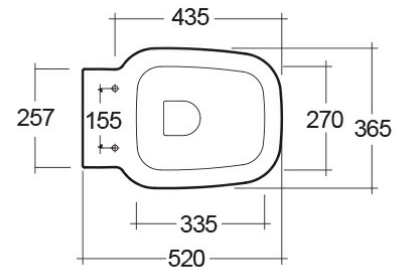


RAK-One

Wall Hung | Water Closet

RAK
CERAMICS



Technical specifications

Dimensions: 520 x 365 mm

Weight: 22 Kg

Color: Alpine White

Trap type: P trap

Trapway type: Concealed

Seat cover options: Urea

Bowl shape: Squared

Soft close: yes

Dual flush: yes

Suites: [RAK-ONE](#)

Dimensions: All measurements are in millimeters and are subject to normal manufacturing variations.
Note: Due to a continuing development programme to improve design and performance, the manufacturer reserves all rights to vary specifications without prior information.
Please note accessories are for photographic use only.